

**Receiver**

**From**

Company  
Reference  
Address  
Phone  
Fax  
E-mail

**Item n° :** 60191213  
**Customer pos. no.:**  
  
**Model :** FEKA FXC 20.07 M-A 230 V  
  
Type of installation :  
Wet - Pump only

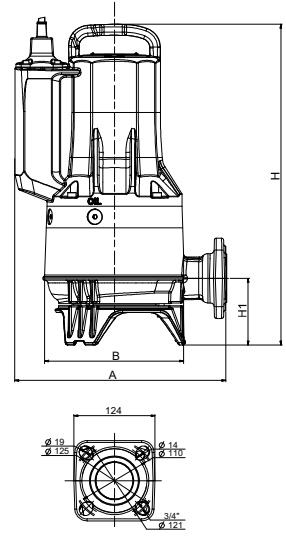
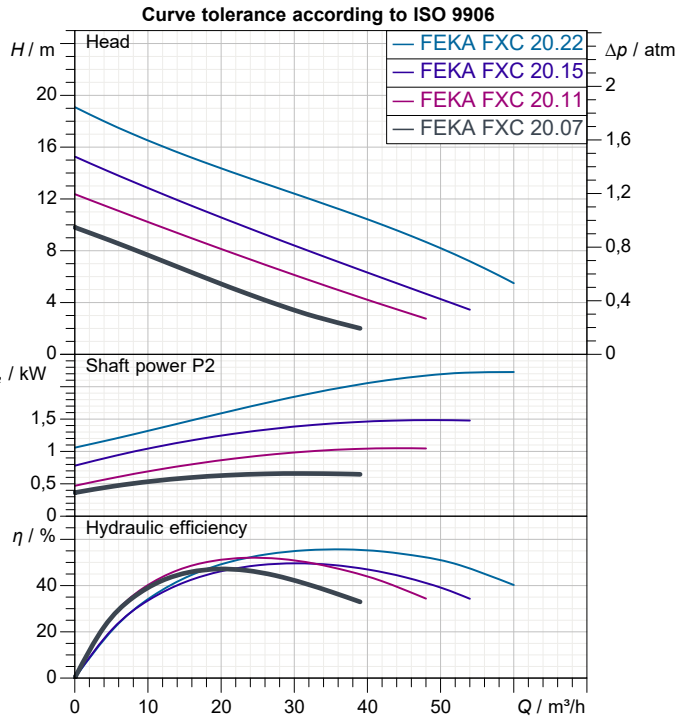
Pump data	
Free passage :	50 mm
Max. immersion depth :	20 m
Min. fluid temperature :	0 °C
Max. fluid temperature :	50 °C

Requested data	
Flow :	
Head :	
Fluid :	Water
Fluid Temperature :	20 °C
Density :	998,3 kg/m³
Kinematic viscosity :	1,005 mm²/s
Vapor pressure :	0,023094 atm

Hydraulic data (duty point)	
Flow :	
Head :	

Materials	
Handle	Cast iron (EN GJL 200)
Pump body / motor	Cast iron (EN GJL 200)
Impeller	Cast iron (EN GJL 250)
Mechanical seal pump side	SIC-SIC/SIC-C
Mechanical seal motor side	SIC/Carbon
O-Ring	NBR
Motor shaft	Stainless Steel AISI 431

Motor data		
Motor brand :	DAB	
Nominal power P2 :	0,7 kW	
Rated speed :	2.870 1/min	
Rated voltage :	1~ 230 V	50 Hz
Nominal current :	4,1 A	
Degree of protection :	IP 68	



<b>Weight :</b>	37 kg	<b>Accessory weight :</b>	
<b>Dimensions in mm</b>			
A	322		
B	210		
DN1	50		
GAS	Rp 2"		
H	468		
H1	103		
<b>Pump connection</b>			
Suction side :	--		
Discharge side :	Rp 2" - DN 50 PN10/6		



# PERFORMANCE CURVES

2023-11-10

Page 2 / 3

DAB PUMPS S.p.A.  
Via Marco Polo, 14 - 35035 Mestrino (PD), Italy  
Tel. +39 049 5125000 - Fax +39 049 5125950  
www.dabpumps.com

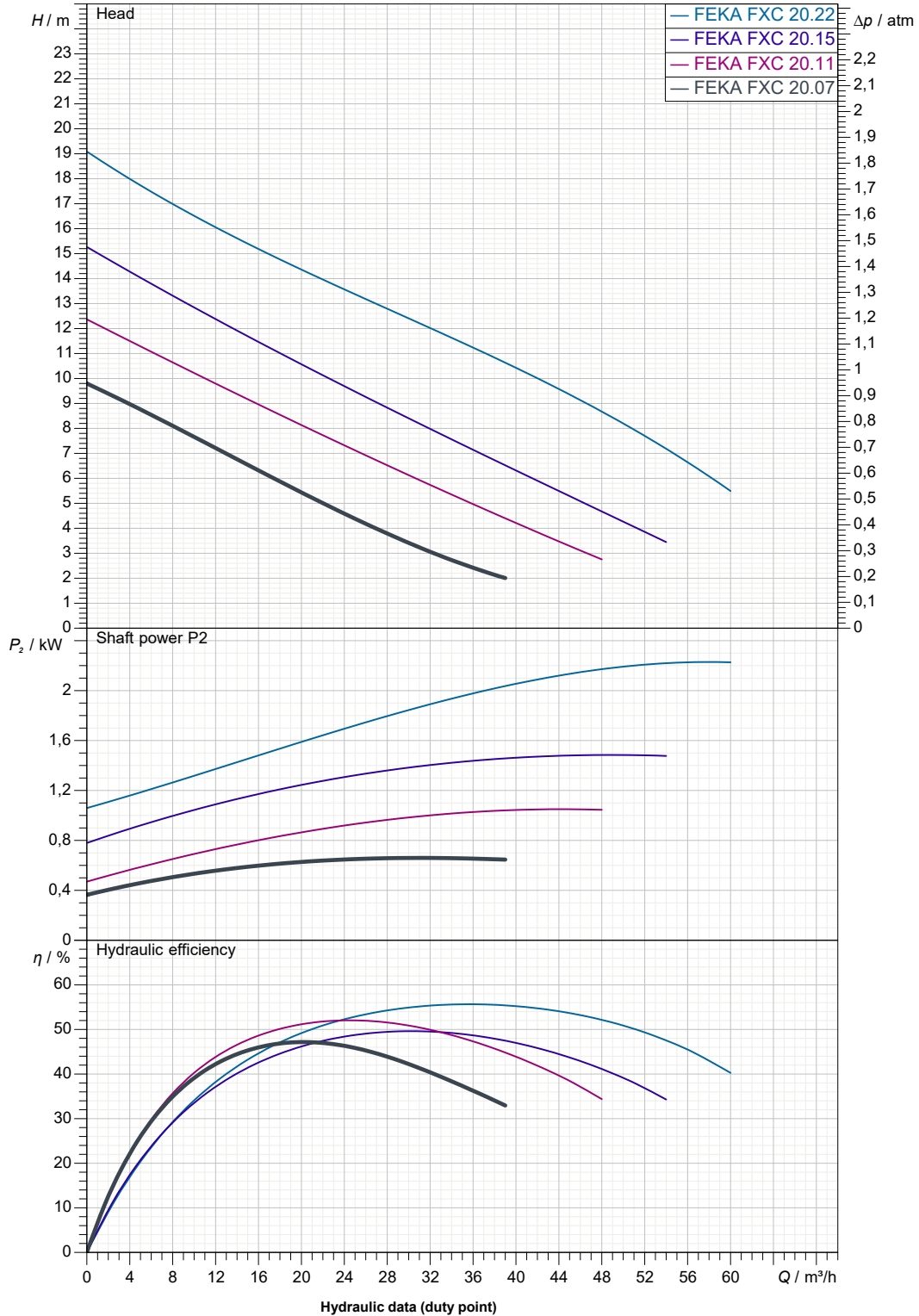
Receiver

From

Company  
Reference  
Address  
Phone  
Fax  
E-mail

## FEKA FXC 20.07 M-A 230 V

Curve tolerance according to ISO 9906



Suction side :

Discharge side :  
Rp 2" - DN 50 PN10/6  
--

Flow :

Head :

Rated speed :  
2.870 1/min

MAIN\_PROJECT\_TITLE

BUSINESS\_PROCESS\_ID

OWNER\_

ISSUE\_DATE  
2023-11-10



# DIMENSIONAL DRAWING

DAB PUMPS S.p.A.  
Via Marco Polo, 14 - 35035 Mestrino (PD), Italy  
Tel. +39 049 5125000 - Fax +39 049 5125950  
www.dabpumps.com

2023-11-10

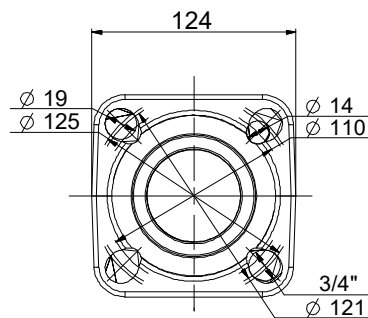
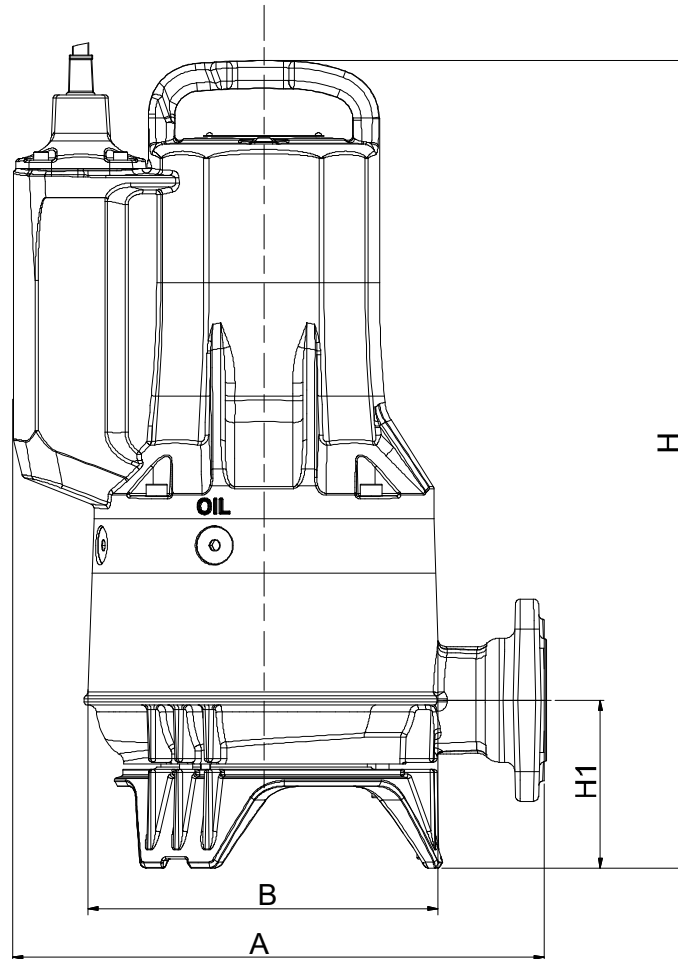
Page 3 / 3

Receiver

From

Company  
Reference  
Address  
Phone  
Fax  
E-mail

## FEKA FXC 20.07 M-A 230 V



### Dimensions in mm

### Pump connection

1	A	322					
2	B	210					
3	DN1	50					Suction
4	GAS	Rp 2"					
5	H	468					Discharge
6	H1	103					Rp 2" - DN 50 PN10/6
7							--
8							
9							
10							
11							

MAIN\_PROJECT\_TITLE

BUSINESS\_PROCESS\_ID

OWNER

ISSUE\_DATE

2023-11-10